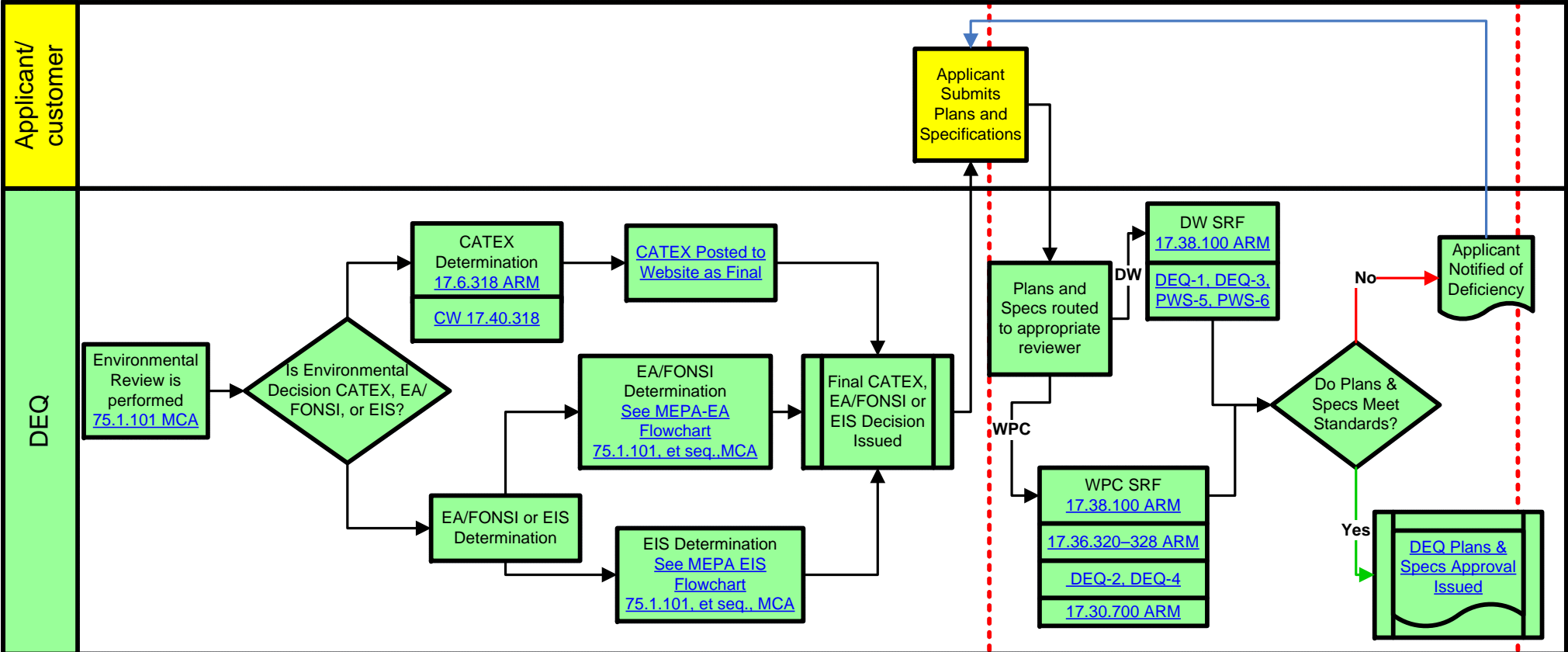


Montana State Revolving Fund Loan Process – Water Pollution Control and Drinking Water Environmental Review – Plan & Spec Review

60 Days



CATEX= Categorical Exclusion
 EA/FONSI= Environmental Assessment/Finding of No Significant Impact
 EIS= Environmental Impact Statement
 MEPA= Montana Environmental Policy Act
 DWSRF= Drinking Water State Revolving Fund
 WPCSRF= Water Pollution Control State Revolving Fund